

EET Industry exhaust canopy



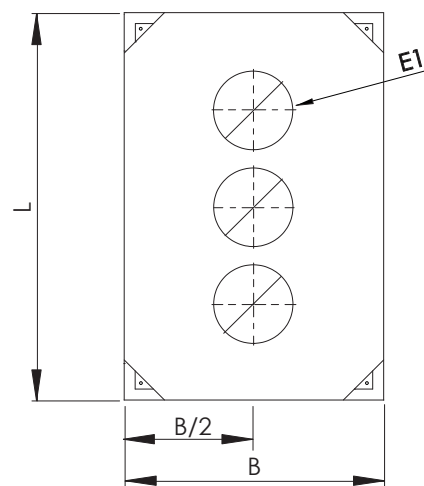
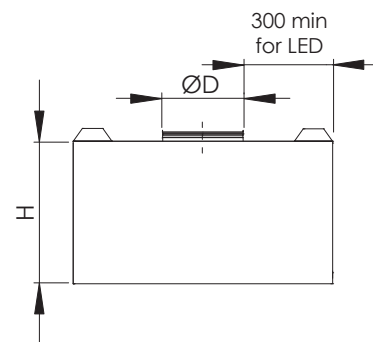
The EET canopy is our most basic canopy for removing airborne particles and excess heat, ensuring a clean, hygienic and comfortable work environment. It is most suitable for industrial applications.

Material and dimensions

The canopy is made standard from galvanized steel (DX51D+Z275) but can optionally be constructed from other materials.

We at know that no two customer requirements are exactly alike. We have designed our canopies to be modular, so we can custom design and manufacture a canopy solution to meet your each and every project requirement or technical need.

EET Dimensions	mm
L Length	500 ... 6000
B Width	500, ..., 800 (No lighting) 900, 1000, ... 2900, 3000
H Height	200 ... 1000
E1	160, 200, 315, 400, 500, 560, 630, 710



Lighting

Our canopies use next generation, energy efficient LED lights, which can save as much as 50% more energy compared to older technology fluorescent lights.

The light fixtures are integrated into their ceilings, protected by aluminum and glass casings.

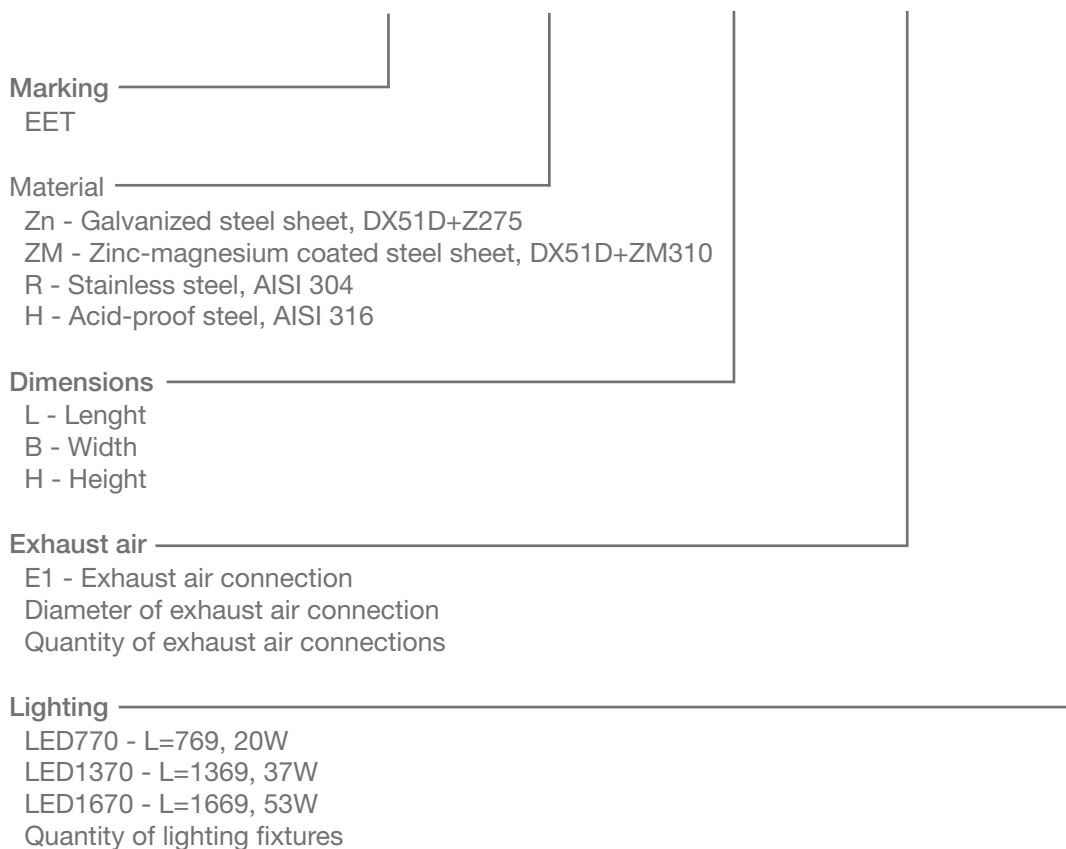
The size and number of light fixtures are determined by the size of the canopy, to ensure there is enough light output for the entire workspace.

Luminaries

Canopy length (mm)	Lighting length (mm)	Energy use. (W)	Light color	Color temperature (K)	Color rendering index (Ra)	Flux (lm)
1000 ≤ L <1600	LED770	20	840	4000	80	2250
1600 ≤ L <1900	LED1370	37	840	4000	80	4900
L ≥1900	LED1670	53	840	4000	80	6750

Product marking

Marking - Material - Dimensions - Exhaust air - Lighting



Example: **EET-Zn 2000x1000x550 - E=315x1 - LED770x1**

Masking plates:

Mounted in the area between canopy and ceiling, when conduits and other components are to be concealed.